



A202

ELECTRIC
OPERATION TABLE

Registration code: SKL-A

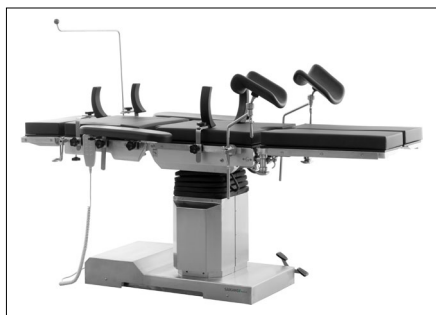


SAIKANG / Medical

Healthier
your life

A202

FEATURES AND HIGHLIGHTS



Technical parameters

External size (LxWxH):	2000x500x(750-1050)mm
Reverse trendelenburg:	0-22°
Trendelenburg:	0-25°
Lateral tilt left/right:	0-20°
Head plate up/down:	45°/90°
Back plate up/down:	70°/35°
Leg plate down:	0-90°
Leg plate outwards:	0-90°
Kidney bridge elevation:	0-80mm
Horizontal sliding:	0-300mm
Safe working load:	360kg

Technical configuration

<input checked="" type="checkbox"/> Arm support	2 pcs
<input checked="" type="checkbox"/> Leg support	2 pcs
<input checked="" type="checkbox"/> Body Support	2 pcs
<input checked="" type="checkbox"/> Shoulder Support	2 pcs
<input checked="" type="checkbox"/> Slider	7 pcs
<input checked="" type="checkbox"/> Tightener	2 pcs
<input checked="" type="checkbox"/> Anaesthetic Screen	1 pc
<input checked="" type="checkbox"/> Hand controller	1 pc
<input checked="" type="checkbox"/> Handwheel	1pc

Material

The chassis cover is made of high quality Ni-Cr stainless alloy steel by seamless robot welding, corrosion resistance, disinfection resistance, rust-proof and durable.

**Mattress**

Removable memory mattress, good rebound resilience, anti-static electricity and anti-microbial.

**Control System**

Electric-hydraulic control system, non-gear structure, all functions are controlled by the hand controller.

**Braking system**

Mechanical brake device at the side of the base, with fixed or moving function, flexible and reliable.

**Hand controller**

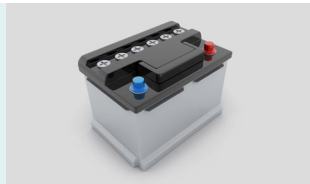
All functions are controlled by the hand controller.

**Kidney bridge**

Kidney bridge is adjusted by the hand wheel at the side of head board, more convenient, with separate mattress.

**Battery could support**

Battery could support about 50-80 complete operation cycles. Working time could be last for one week according to useage and help to keep the operating table running in the event of power failure.

**Horizontal movement**

300mm horizontal movement function, with high strength phenolic resin table top, could be used for X-ray and C-arm.

**Leg plate**

The up and down folding of the leg plate is manually controlled by the high strength gear, which makes the operation more effort-saving and smooth.

**Armrest****Anesthesia Frame****Leg Crutches****Shoulder Support****Body Supporter**

Professional functions

Lowest position of table top
750mm



Highest position of table top
1050mm



Back plate up
0°-70°



Back plate down
0°-35°



Reversed trendelenburg
0°-22°



Trendelenburg
0°-25°



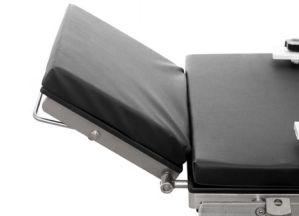
Right lateral tilt
0°-20°



Left lateral tilt
0°-20°



Head plate upward
0°-45°



Head plate downward
0°-90°



Leg section evagination
0°-90°



Leg plate up/down
-45°-90°



Kidney bridge elevation
0-80mm



Horizontal movement
0-300mm





CONSTANT INNOVATION



Design



Research



Manufacturing



Maintenance



Service



WORLDWIDE BRANCHES

USA

Saikang Medical Technology, Inc.
17800 Castleton St Ste 180,
City of Industry, 91748, California.
Tel.: +1 949648 2776

United Kingdom

UK Healthward International Ltd.
Dept. 111, 196 High Road Wood
Green, N22 8HH, London.
Tel.: +44 2032399738

Russia

Saikang Medical Russia LLC
Truda 174,
454080 Chelyabinsk.
Tel.: +7 (351) 214 5566 / 8811 / 1516

East Africa

Saikang Medical Solutions Ltd.
Viraj Complex Unit 3, Mombasa
Road, P.O. Box 14262-00800, Nairobi.
Kenya.
Tel.: +254 733 704 690

Middle East

Saikang Medical Supplies LLC
X22-S03 England Cluster,
International City, Dubai.
United Arab Emirates.
Tel.: +20 128 8962497

SAIKANG / Medical

Jiangsu Saikang Medical Equipment Co., Ltd.
STOCK CODE: 870098

📍 No. 35, Lehong Road · Zhangjiagang (Jiangsu) · China

☎ +86 18021231901 · 🕒 24/7

✉ sales@chinasaikang.com

🌐 www.saikangmedical.com



Company video



General catalogue