



A3008A-1

OPERATING TABLE

Registration code: SKT-C

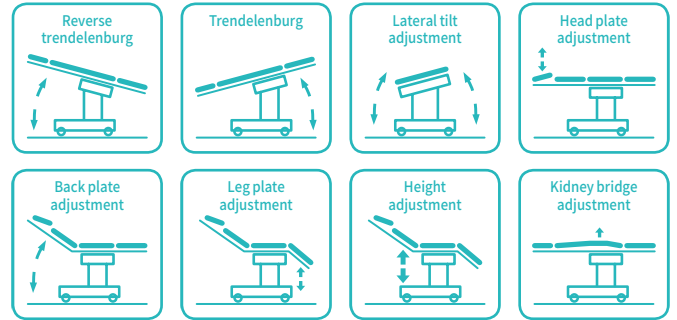


SAIKANG / Medical

Healthier
your life

A3008A-1

FEATURES AND HIGHLIGHTS



Technical parameters

External Size (LxWxH)	2100x480x750-950 mm
Built-in Kidney Bridge	0-100 mm
Back Plate Up/Down	75°/5°
Head Plate Up/Down	30°/90°
Trendelenburg/Reverse Trendelenburg	30°/30°
Lateral Tilt Left/Right	20°/20°
Leg Plate Down	90°
Patient Weight Capacity	250 kg

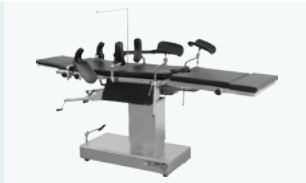
Technical configuration

<input checked="" type="checkbox"/> Anesthesia Screen Frame	1pc
<input checked="" type="checkbox"/> Mattress	1set
<input checked="" type="checkbox"/> Kidney Bridge Handle	1pc
<input checked="" type="checkbox"/> Arm Support with Cushion	2pcs
<input checked="" type="checkbox"/> Leg Support with Cushion	2pcs
<input checked="" type="checkbox"/> Shoulder Support with Cushion	2pcs
<input checked="" type="checkbox"/> Body Support with Cushion	2pcs
<input checked="" type="checkbox"/> Long Fixing Clamp	1pair
<input checked="" type="checkbox"/> Fixing Clamp	8pcs

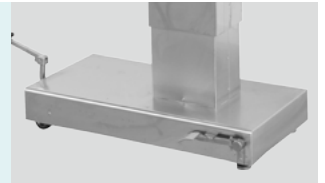


Application

This operating table is a comprehensive multi-function type, suitable for medical units to perform various operations, all movements are controlled by the manual cranks.

**Material**

The base, column and side holder are all made of high quality 304 stainless steel, which is anti-corrosive and can be easily cleaned.

**Control System**

Foot treadle brake device which is easily for moving operating table.

**Built-In Kidney Bridge**

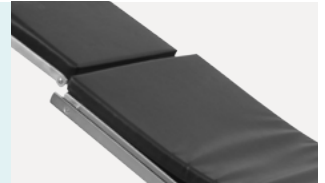
Built-In kidney bridge, more convenient and nice appearance.

**Hydraulic**

The height adjustment controlled by hydraulic pump.

**Mattress**

PU cover, custom mattress, easy disassembly and cleaning, thickness of mattress: 6cm

**Shoulder Support with Cushion****Anesthesia Screen Frame****Arm Support with Cushion****Leg Support with Cushion****Body Support with Cushion**



CONSTANT INNOVATION



Design



Research



Manufacturing



Maintenance



Service



WORLDWIDE BRANCHES

USA

Saikang Medical Technology, Inc.
17800 Castleton St Ste 180,
City of Industry, 91748, California.
Tel.: +1 949648 2776

United Kingdom

UK Healthward International Ltd.
Dept. 111, 196 High Road Wood
Green, N22 8HH, London.
Tel.: +44 2032399738

Russia

Saikang Medical Russia LLC
Truda 174,
454080 Chelyabinsk.
Tel.: +7 (351) 214 5566 / 8811 / 1516

East Africa

Saikang Medical Solutions Ltd.
Viraj Complex Unit 3, Mombasa
Road, P.O. Box 14262-00800, Nairobi.
Kenya.
Tel.: +254 733 704 690

Middle East

Saikang Medical Supplies LLC
X22-S03 England Cluster,
International City, Dubai.
United Arab Emirates.
Tel.: +20 128 8962497

SAIKANG / Medical

Jiangsu Saikang Medical Equipment Co., Ltd.
STOCK CODE: 870098

📍 No. 35, Lehong Road · Zhangjiagang (Jiangsu) · China

☎️ +86 18021231901 · 🕒 24/7

✉️ sales@chinasaikang.com

🌐 www.saikangmedical.com



Company video



General catalogue